

Axial Flow Fans

MA Series

In this series of fans the air enters and comes out from the fan in axial way, through a direct system of crossing.

AX series is constituted by 5 sizes.

SA series is constituted by 2 sizes.

MA series is constituted by 1 size.

Axial Flow Fans MA Series

Featuring Specifications

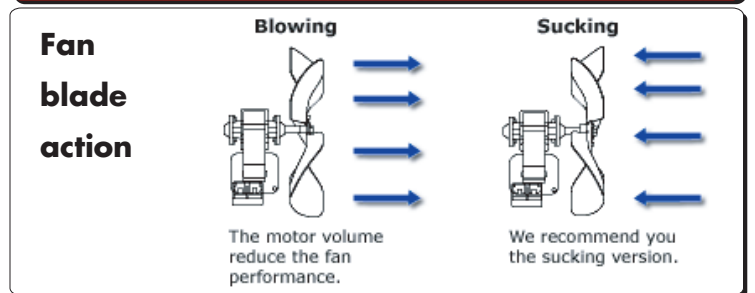
- axial-flow fan, with wall ring made of black nylon mixed with fiberglass;
- Single phase, 2 shaded poles, impedance protected motor, built complying "CE" standards, with self-lubricating and self-aligning sleeve bearings, with big oil reservoir;
- motor with "F" insulation class (155°C);
- coil bobbin with "IP56" protection class;
- electric supply by tripolar wire of 1,5m. of length;
- operating voltages between 12V and 400V 50/60Hz;
- fan blade made of nylon mixed with fiberglass.

Technical Specifications

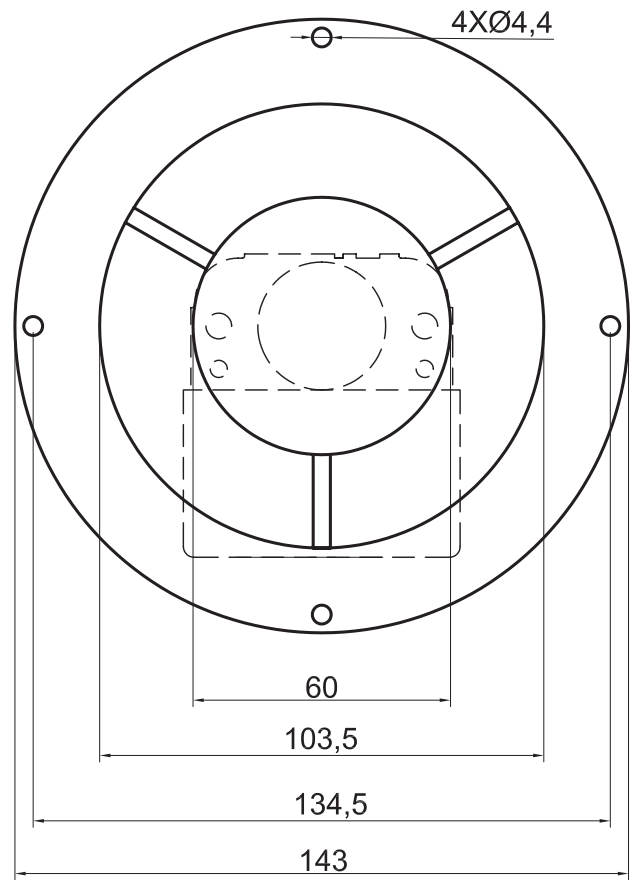
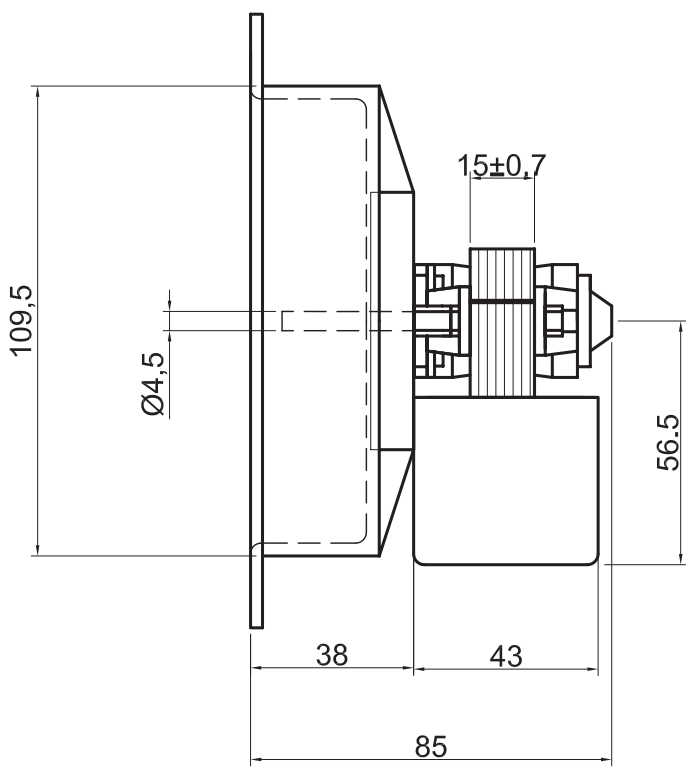
- air flow rate: 90m³/h;
- absorbed power 17W;
- revs. per minute 2600.

On Request

- wall ring made of plate and superficial treatment with epoxydic varnish;
- fan blade made of aluminium with these technical specifications: air flow rate 110m³/h – absorbed power 17W;
- motor with "H" insulation class (180°C);
- electric supply by tripolar wires of various lengths;
- coil bobbin with various protection classes.



Dimensions



coprel s.r.l.

Via Martiri della Resistenza, 8
20090 Fizzonasco di Pieve Emanuele (Milano - Italy)

tel. +39 (02) 907.24.064

Fax +39 (02) 907.25.102

e-mail: info@coprel.com

web: <http://www.coprel.com>

All motors, fans and blowers are manufactured in our factory in Pieve Emanuele (Milano – Italy).
Dimensions and specifications can vary. We reserve ourselves the right to make changes anytime we consider it's the case.