

Centrifugal Blowers

CRT 05N36

Centrifugal blowers are properly made for:

- aspiration of clean air or light dusty smoke (not abrasive);
- cooling in general.

They're utilized in all industrial appliances where there's the need of small air volume together with small pressure.

The series is constituted by 3 sizes.

Centrifugal Blowers CRT05N36

Technical Specifications

- Single inlet centrifugal fan;
- 2 shaded-poles impedance protected motor, built complying "CE" standards, with self-lubricating and aligning sleeve bearings, with big oil reservoir;
- model 230V/50Hz., "F" class insulation (155°C), power input of 18W;
- model 115V/60Hz., approved UL CSA (USR-CSR) file E204506, "A" class insulation (105°C), power input 15W;
- Fan blade with curved forward pales, made of black nylon mixed with fiberglass, with constant thickness;
- housing made with black nylon mixed with fiberglass;
- motor fixed on zincoated metal plate;
- suitable for continuous duty with room temperature between -10°C and + 60°C;
- electric supply by 6,3x0,8 mm. male faston-type connectors (axial or radial, see the scheme below), directly fixed on coil;

On Request

- motor VDE 1306 "B" class (130°C) or "H" class (180°C) approved;
- housing with various inlet sizes (see the scheme);
- motor with power of 20W;
- protection against dust and/or humidity;
- dustproof end-shields with "IP50" protection class;
- coil bobbin with "IP56" protection class;
- electric supply with flying cables of various lengths;
- operating voltages from 12V to 400V 50/60Hz;
- thermal protector or thermal cut off protection.



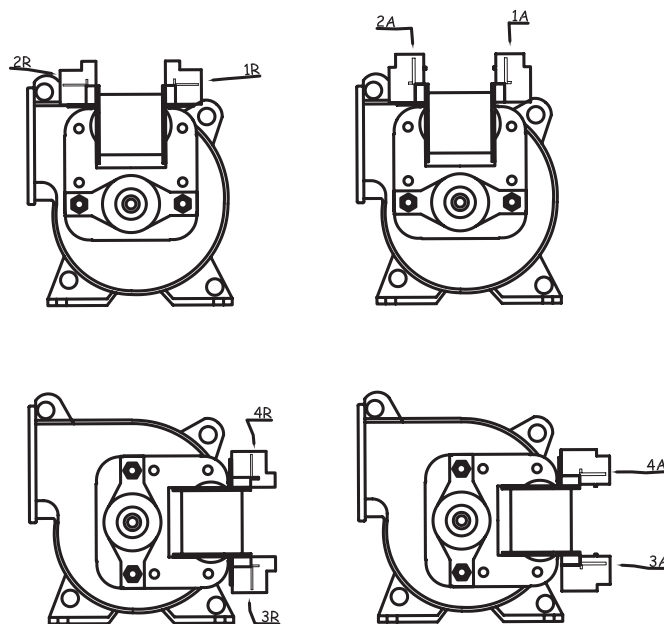
ID code

| CRT | 05 | / | N36 | | 1P | 4R | 230 | / | 50 |

1 2 3 4 5 6

- | | |
|---------------------|----------------------|
| 1) series | 4) faston position |
| 2) model | 5) operating voltage |
| 3) version (scheme) | 6) rated frequency |

Faston Position

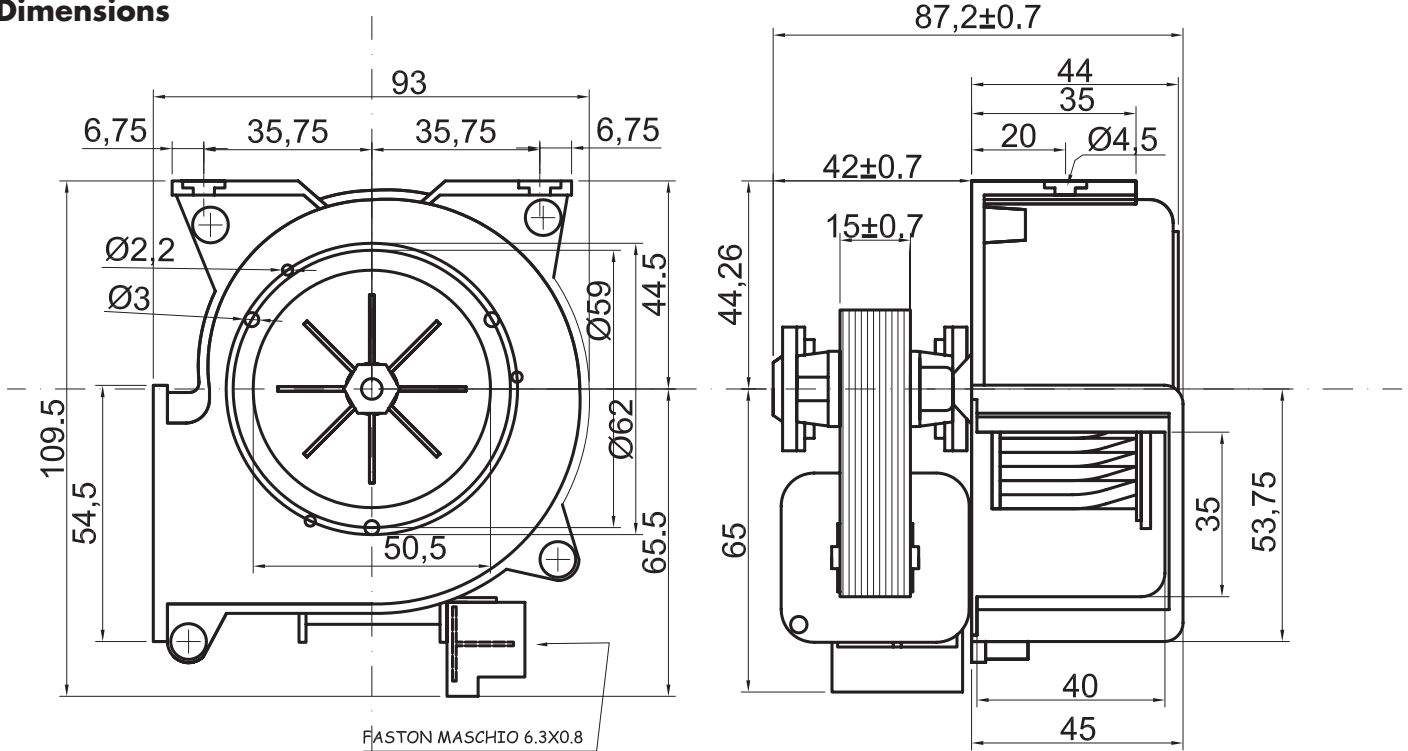


Mod. CRT05/N36 32

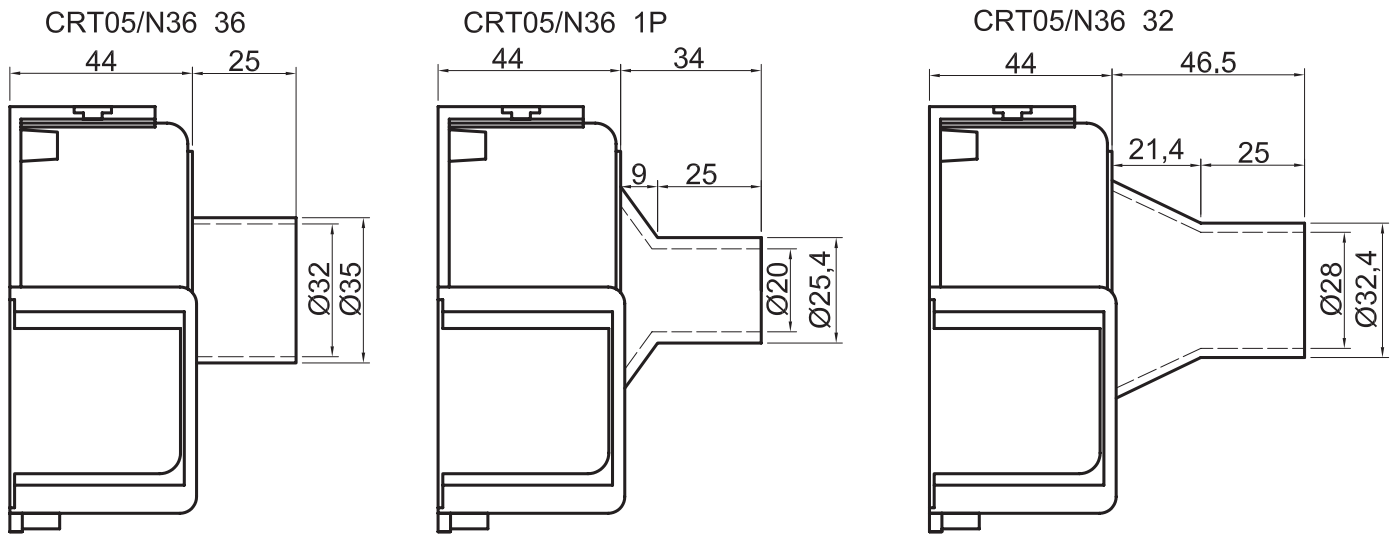
Mod. CRT05/N36 1P

Mod. CRT05/N36 36

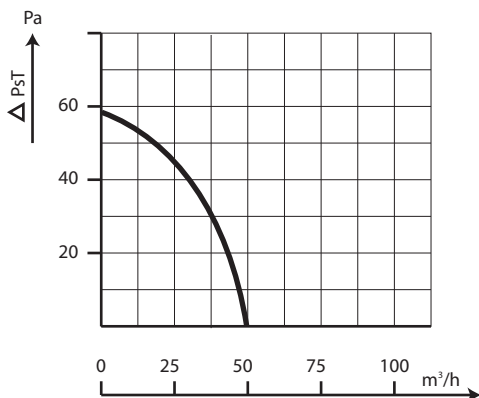
Dimensions



Versions



Static Pressure Curve



coprel s.r.l.

Via Martiri della Resistenza, 8
20090 Fizzonasco di Pieve Emanuele (Milano - Italy)

tel. +39 (02) 907.24.064

Fax +39 (02) 907.25.102

e-mail: info@coprel.com

web: <http://www.coprel.com>

All motors, fans and blowers are manufactured in our factory in Pieve Emanuele (Milano – Italy).
Dimensions and specifications can vary. We reserve ourselves the right to make changes anytime we consider it's the case.