

# Centrifugal Blowers

## DDD Series

DD centrifugal blowers (double suction) and DDD centrifugal blowers (quadruplesuction with central motor), are conceived to satisfy the sophisticated needs that the designers should face in these fields: **conditioning, heating, refrigeration**, or everywhere else it is necessary to have big pressure with small volumes, low noise but good performance.

## Centrifugal Blowers DDD Series

### Technical Specifications

- quadruple suction centrifugal blower, with central motor position;
- single-phase, 2 shaded-poles, impedance protected motor, built complying "CE" standards, with self lubricating and aligning sleeve bearings with big oil reservoir;
- motor with "F" insulation class ( 155°C);
- suitable for continuous duty with room temperature between -10°C and + 60°C;
- electric supply by 6,3x0,8mm male faston-type connectors, directly fixed on coil;
- two double suction fan blades with curved forward pales, made of aluminium with constant thickness 76 mm diameter and with internal strengthening disc;
- two housings made of zinc coated sheet.

### On Request

- coil bobbin with "IP56" protection class;
- dustproof end-shields with "IP50" protection class;
- operating voltages between 12V and 400V 50/60Hz;
- double voltage and/or double or triple rotation speed;
- electric supply with flying cables of various lengths;
- thermal protector or thermal cut off protection;
- housings with superficial cataphoresis treatment;
- version built complying UL-CSA standards;
- "BB" version with two 626ZZ ball bearings type on the motor.



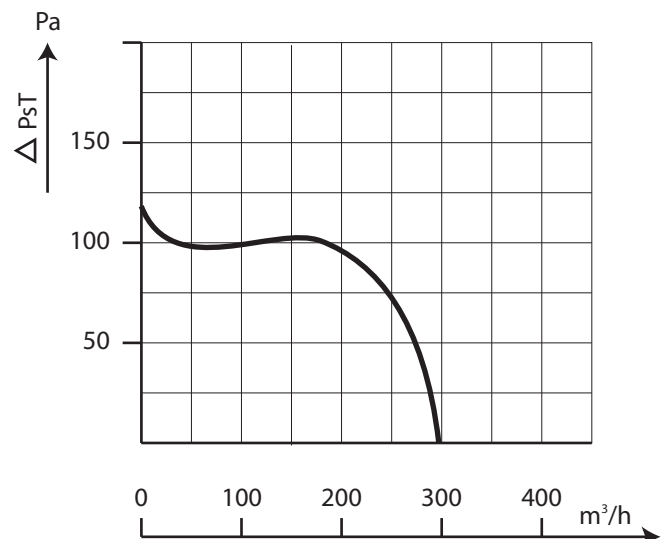
### ID code

DDD|76|96| 230|50|

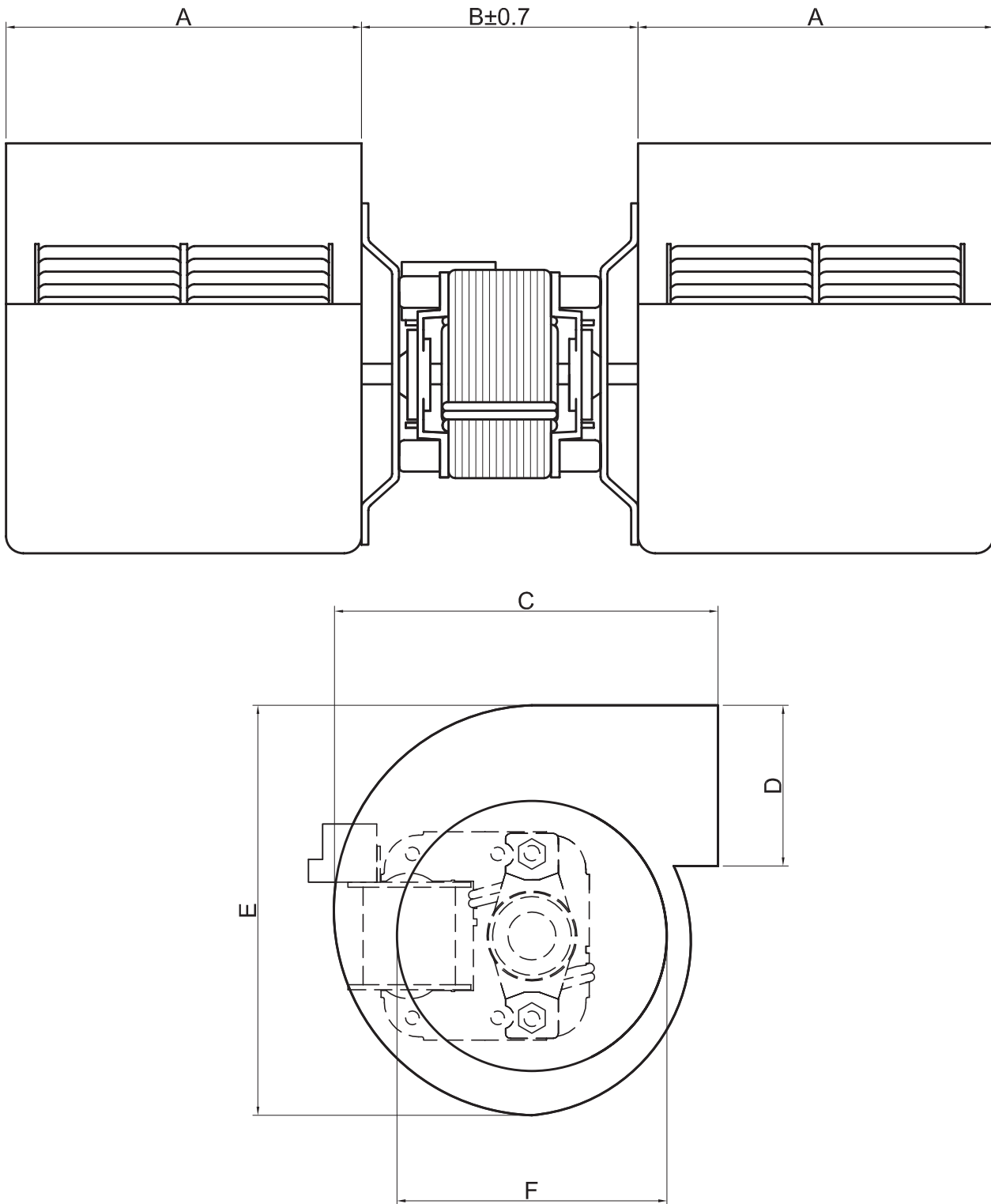
1      2      3      4

- 1) series
- 2) model
- 3) operating voltage
- 4) rated frequency

### Static Pressure Curve



## Dimensions



## Versions

Type	Fan	Input power		A mm	B mm	C mm	D mm	E mm	F mm
		W	A						
DDD 76/96	Ø 76x86	60	0,48	104	86	114	47	120	77

## **coprel s.r.l.**

Via Martiri della Resistenza, 8  
20090 Fizzonasco di Pieve Emanuele (Milano - Italy)

tel. +39 (02) 907.24.064

Fax +39 (02) 907.25.102

e-mail: [info@coprel.com](mailto:info@coprel.com)

web: <http://www.coprel.com>

All motors, fans and blowers are manufactured in our factory in Pieve Emanuele (Milano – Italy).  
Dimensions and specifications can vary. We reserve ourselves the right to make changes anytime we consider it's the case.