

Centrifugal Blowers

DD Series

DD centrifugal blowers (double suction) and DDD centrifugal blowers (quadruplesuction with central motor), are conceived to satisfy the sophisticated needs that the designers should face in these fields: **conditioning, heating, refrigeration**, or everywhere else it is necessary to have big pressure with small volumes, low noise but good performance.

Centrifugal Blowers DD Series

Technical Specifications

- double suction centrifugal blower;
- single-phase, 2 shaded-poles, impedance protected motor, built complying "CE" standards, with self lubricating and aligning sleeve bearings with big oil reservoir;
- motor with "F" insulation class (155°C);
- suitable for continuous duty with room temperature between -10°C and + 60°C;
- electric supply by 6,3x0,8mm male faston-type connectors directly fixed on coil;
- double suction fan blade with curved forward pales, made of aluminium with constant thickness 76 mm diameter, and with internal strengthening disc;
- housing made of zinc coated sheet.

On Request

- dustproof end-shields with "IP50" protection class;
- operating voltages between 12V and 400V 50/60Hz;
- double voltage and or double or triple rotation speed;
- electric supply with flying cables of various lengths;
- coil bobbin with "IP56" class protection;
- thermal protector or thermal cut off protection;
- housing with superficial cataphoresis treatment;
- version built complying UL-CSA standards;
- "BB" version with two 626ZZ ball bearings type on the motor;
- different motor positions.

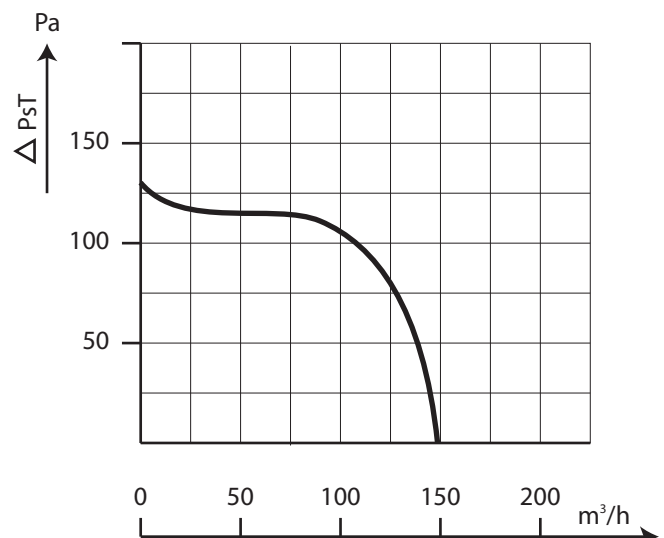


ID code

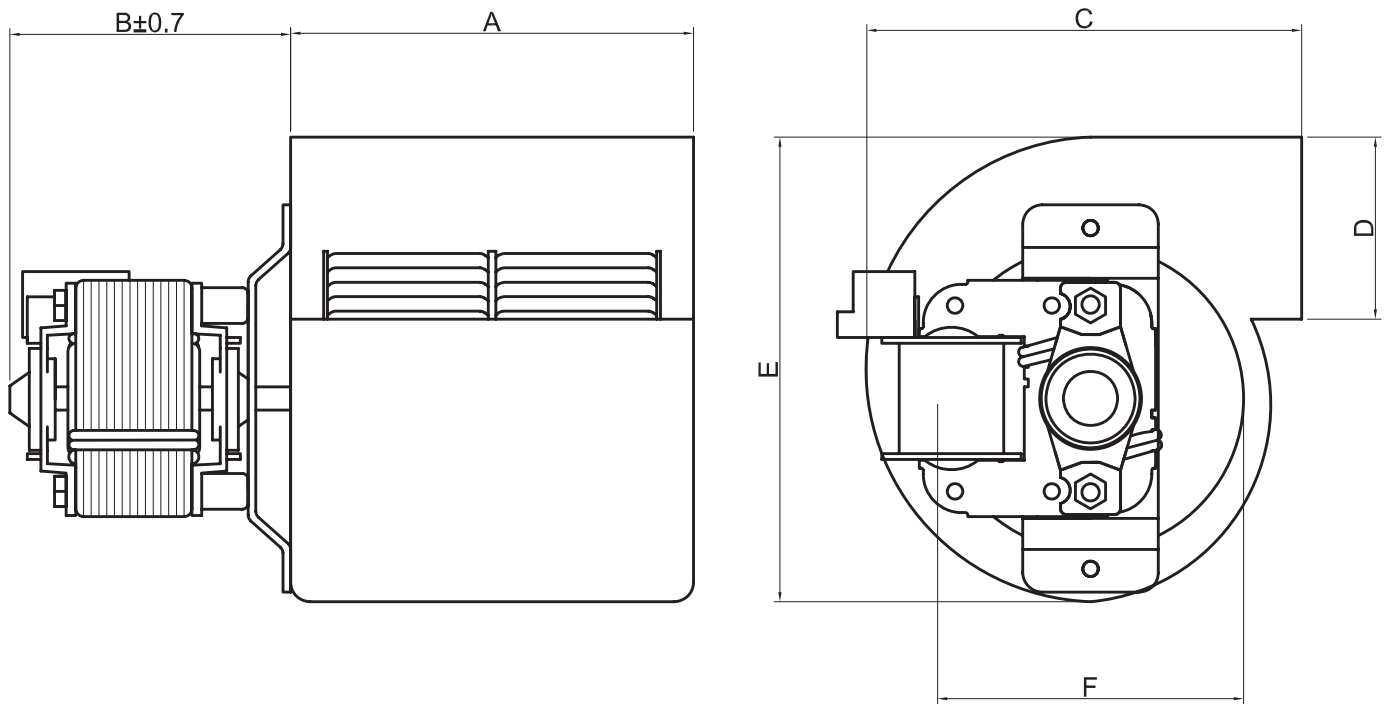
DDR76/96DN230/50

- | | |
|--|----------------------|
| 1) series | 3) model |
| 2) motor position
R: right
L: left | 4) motor position |
| | 5) operating voltage |
| | 6) rated frequency |

Static Pressure Curve



Dimension



Versions

Type	Fan	Input power		A mm	B mm	C mm	D mm	E mm	F mm
		W	A						
DD 76/96	Ø 76x86	49	0,370	104	61,5	114	47	120	77

coprel s.r.l.

Via Martiri della Resistenza, 8
20090 Fizzonasco di Pieve Emanuele (Milano - Italy)

tel. +39 (02) 907.24.064

Fax +39 (02) 907.25.102

e-mail: info@coprel.com

web: <http://www.coprel.com>

All motors, fans and blowers are manufactured in our factory in Pieve Emanuele (Milano – Italy).
Dimensions and specifications can vary. We reserve ourselves the right to make changes anytime we consider it's the case.